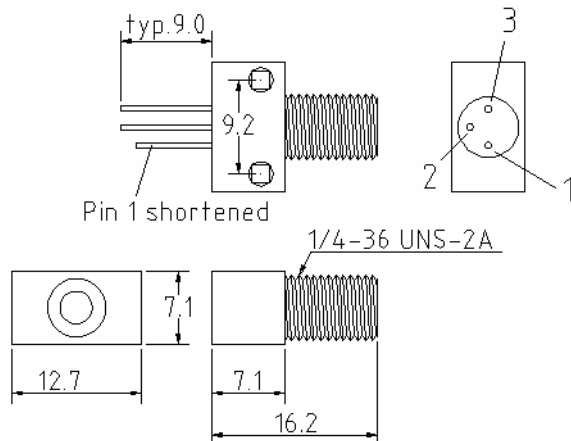


UN 4623-2

Description:

FSMA Receptacle, made of blue plastic, mounted with an inverting 5 Mbit/s digital receiver with TTL output for fiber optic applications with glass, 50/125µm or 62,5/125µm GI-fiber.

Dimensions:



Pinout:

1 = Vcc, pin shortened
2 = Ground
3 = TTL output

Supplied equipment:

- Component
- Dust cap
- fixing screws

Technical Data:

Sensitivity	3 µW (-25 dBm) typ. ($\lambda = 850 \text{ nm}$)
Supply voltage	5 V ($\pm 10 \%$)
Supply current	6,3 mA / 10 mA max. (High / Low)
Data rate	DC .. 5 MBaud
Pull-up resistor	560 Ω min.
Puls width distortion	5 % ($P_{in} = 2 \mu\text{W}$) 25 % ($P_{in} = 100 \mu\text{W}$) typ.
Propagation delay L->H	65 ns ($P_{in} = -21\text{dBm}$, 5 MBd, $R_L = 560 \Omega$)
Propagation delay H->L	49 ns ($P_{in} = -21\text{dBm}$, 5 MBd, $R_L = 560 \Omega$)
Low level	0,4 V typ. , 0,5 V max. ($P_{in} \geq -24\text{dBm}$, $I_o = 8 \text{ mA}$)
Material Barrel	PBT, blue
Marking	UN4623•
Operating temperature	-20 bis +65 °C
Storage temperature	-30 bis +95 °C