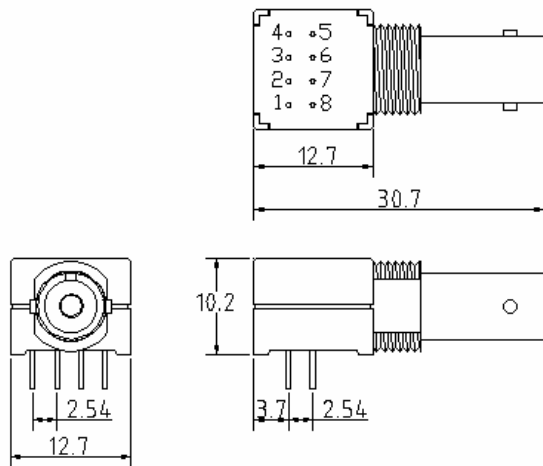


UNF24123-2T

Description:

ST-Fiber-Dip, barrel blue plastic, threaded port with 3/8-32 UNEF-2A, mounted with an inverting 5 MBit/s digital receiver with TTL output for fiber optic applications with glass, 50/125µm or 62,5/125µm GI-fiber.

Dimensions:



Pinout:

1 = n.c.	5 = n.c.
2 = Vcc	6 = TTL-output
3 = Ground	7 = Ground
4 = n.c.	8 = n.c.

Supplied equipment:

- component
- nut 3/8"-32 UNEF-2A
- washer
- dust cap

Technical Data

Sensitivity	3 µW (-25 dBm) typ. ($\lambda = 850 \text{ nm}$)
Supply voltage	5 V ($\pm 10 \%$)
Supply current	6,3 mA / 10 mA max. (High / Low)
Data rate	DC .. 5 MBaud
Pull-up resistor	560 Ω min.
Puls width distortion	5 % ($P_{in} = 2 \mu\text{W}$) 25 % ($P_{in} = 100 \mu\text{W}$) typ.
Propagation delay L->H	65 ns ($P_{in} = -21\text{dBm}$, 5 MBd, $R_L = 560 \Omega$)
Propagation delay H->L	49 ns ($P_{in} = -21\text{dBm}$, 5 MBd, $R_L = 560 \Omega$)
Low level	0,4 V typ. , 0,5 V max. ($P_{in} \geq -24\text{dBm}$, $I_o = 8 \text{ mA}$)
Material Barrel	PBT, blue
Marking	UNF24123T
Operating temperature	-20 bis +65 °C
Storage temperature	-30 bis +95 °C