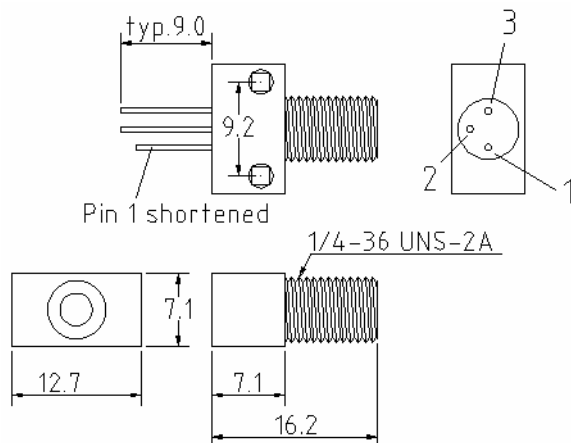


# UN 4621

## Description:

FSMA Receptacle, made of black plastic, mounted with a 850nm standard LED for fiber optic applications with 50/125µm or 62,5/125µm graded index fiber up to 2 km distance.

## Dimensions:



## Pinout:

1 = Anode, pin shortened  
2 = Cathode  
3 = n.c. (Chip-carrier)

## Supplied equipment:

- Component
- Dust cap
- fixing screws

## Technical Data

Forward current .....	<b>50 mA</b> typ.
Peak current .....	<b>100 mA</b> (heat sinked)
Power dissipation .....	<b>85 mW</b> typ., <b>200 mW</b> max.
Forward voltage .....	<b>1,8 V</b> (typ.) - <b>2,0 V</b> at $I_F = 100 \text{ mA}$
Reverse voltage .....	<b>1,0 V</b> at $I_F = 10 \text{ mA}$
Reverse current .....	<b>10 µA</b> at $V_R = 5 \text{ V}$
Cut-off frequency .....	<b>85 MHz</b>
Rise time .....	<b>6 ns</b> typ. at 25 °C, 10-90%
Fall time .....	<b>6 ns</b> typ. at 25 °C, 90-10%
Wavelength .....	<b>850 nm</b> typ.
Spectral bandwidth .....	<b>35 nm</b> typ.
Fiber coupled power .....	<b>10 µW (-20,0 dBm)</b> min. at $I_F = 50 \text{ mA}$ *
Derating .....	<b>-0,02 dB/°C</b> typ.
Material Barrel .....	<b>PBT, black</b>
Marking .....	<b>UN 4621</b>
Operating temperature .....	<b>-20 to +65 °C</b>
Storage temperature .....	<b>-30 to +95 °C</b>

\* 50/125µm GI-Fiber, 25 °C