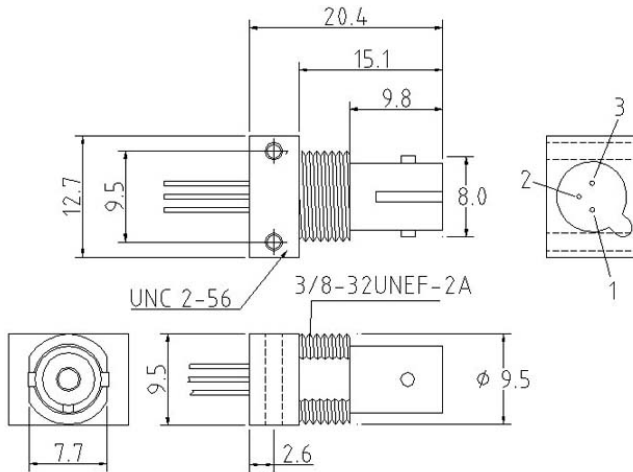


UNF 14821 T

Description:

Threaded metal ST[®] Board-Mount Receptacle, thread 3/8-32 UNEF-2A, mounted with a 850nm-LED for standard applications with the 50/125 μ m or 62,5/125 μ m graded index fiber up to 2km link distance.

Dimensions:



Pinout:

- 1 = Anode, pin shortened
- 2 = Cathode
- 3 = n.c. (Chip carrier)

Supplied equipment:

- Component
- Hex nut 3/8"-32 UNEF-2A
- Washer
- Mounting screws 2-56
- Dust cap

Technical Data

Forward current	50 mA typ.
Peak current	100 mA (w. heatsink)
Power dissipation	85 mW typ., 200 mW max.
Forward Voltage	1,8 V (typ.) - 2,0 V @ $I_F = 100 \text{ mA}$
Reverse Voltage	1,0 V bei $I_F = 10 \text{ mA}$
Bandwidth	85 MHz
Rise time	6 ns typ. @ 25 °C, 10-90%
Fall time	6 ns typ. @ 25 °C, 90-10%
Wavelength	850 nm
Spectral bandwidth	35 nm typ.
Fiber coupled power	10 μW (-20,0 dBm) min. @ $I_F = 50 \text{ mA}$ *
Derating	-0,02 dB/°C typ.
Material Receptacle	Nickel Silver
Marking	UNF14821T
Operating temperature	-20 ... +65 °C
Storage temperature	-30 ... +95 °C

* 50/125 μ GI fiber, $\vartheta = 25 \text{ °C}$