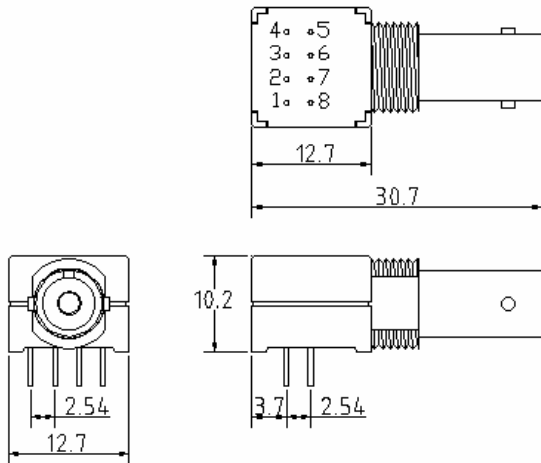


UNF 14152 T

Description:

ST[®]-Fiber-Dip, barrel black plastic, threaded port with 3/8"-32 UNEF-2A, mounted with a 850nm medium power VCSEL-diode for standard applications with 50 or 62,5/125µ graded index fibers over up to 4 km distance.

Dimensions:



Pinout:

- 1 = n.c.
- 2 = anode
- 3 = cathode
- 4 = n.c.
- 5 = n.c.
- 6 = anode
- 7 = anode
- 8 = n.c.

Supplied equipment:

- component
- nut 3/8"-32 UNEF-2A
- washer
- dust cap

Technical Data

Forward current	10 mA typ.
Peak current	15 mA
Power dissipation	35 mW max.
Forward voltage	1,9 V typ., 2,3 V max. at $I_F = 12$ mA
Reverse voltage	10,0 V max.
Cut-off frequency	≥ 1 GHz
Wavelength	850 nm typ.
Threshold current	3,0 mA typ., 6 mA max.
Series resistance	40 Ohm typ. at $I_F = 12$ mA
Fiber coupled power	63 µW (-12,0 dBm) min., 250 µW (-9 dBm) max* 40µW (-14,0 dBm) min. **
Material Barrel	PBT black
Marking	UNF14152T
Operating temperature	-20 to +85 °C
Storage temperature	-40 to +125 °C

* 50/125µ GI-Faser, $I_F=10$ mA, $\theta = 25$ °C

** 50/125µ GI-Faser, $I_F=10$ mA, complete temperature range